



ProTECH

Desk Guards



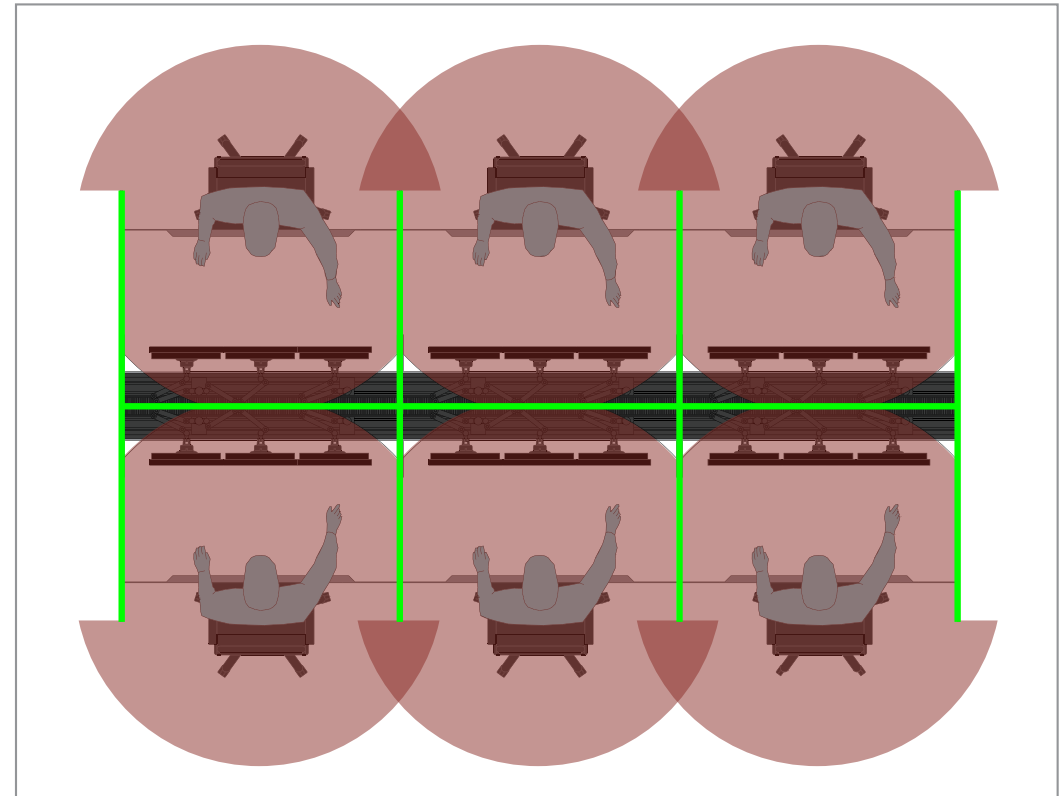
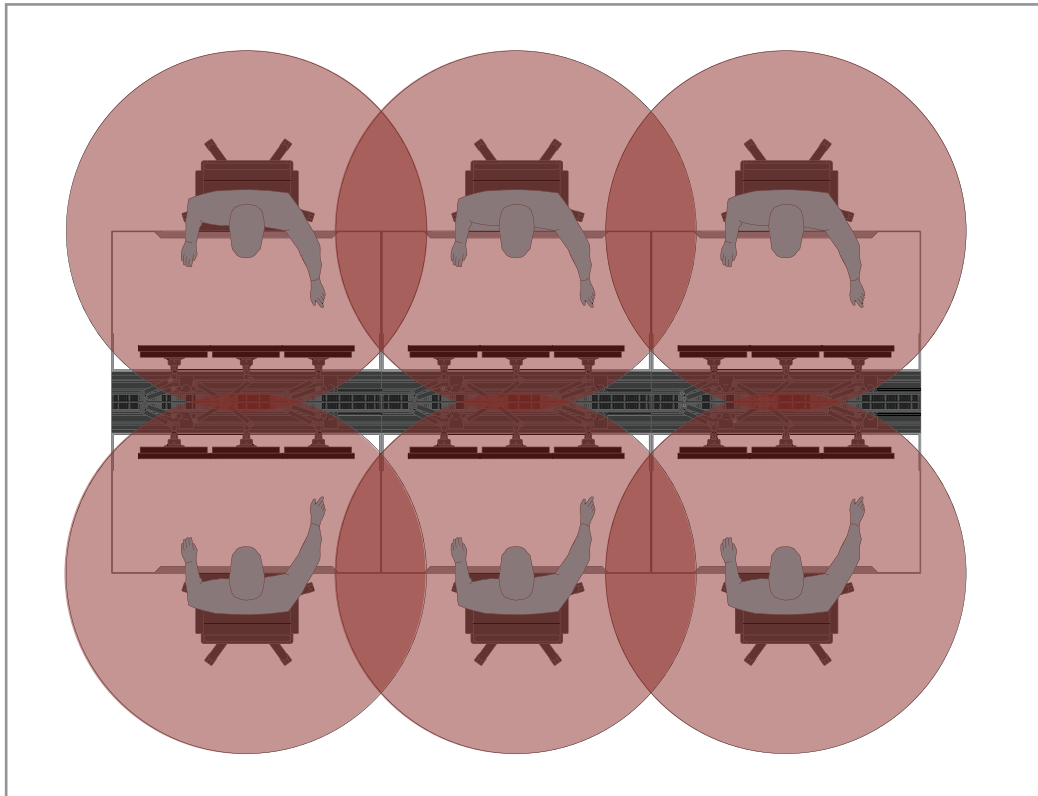
Why ProTECH?

Countries across the world are planning for a future after Covid-19; how we can adapt our ways of living and working to reduce transmission chains while enabling us to restart our economies.

With social distancing due to be a key and ongoing aspect of our daily lives an immediate return to 'normal' office working practices seems unlikely.

Technology Deskings have devised ProTech Desk Guards to help keep your workforce safe. By putting a physical barrier between office users, our desk guards help to break transmission chains while allowing as many 'normal' working practises to continue.

We offer a range of materials and price points ensuring the right solution for your workplace.



ProTECH

Acrylic



Systems Furniture Desk Guard

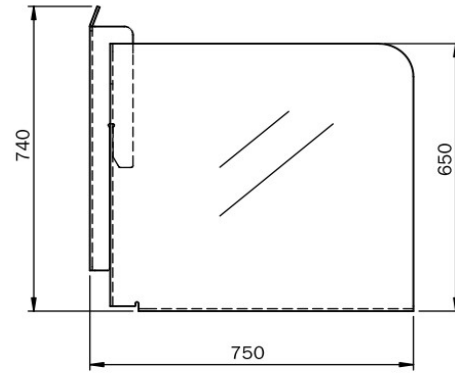
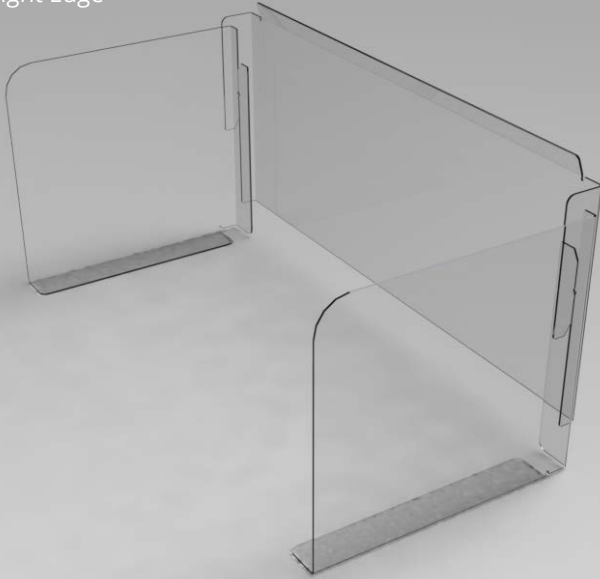


- Easy installation with quick slot system.
- Fixed height and height adjustable desks.
- Manufactured from acrylic.
- No shared components enables the guard to rise and fall with height adjustable desks.
- Optional extended wing side panels.
- Width and depth sized to desk specification.



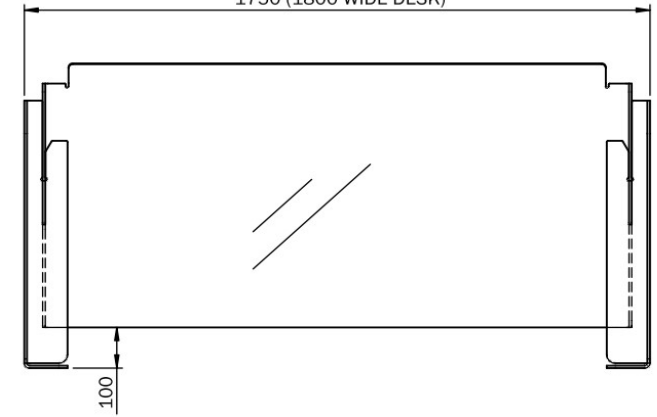
SE-DG-20

Straight Edge



SIDE ELEVATION

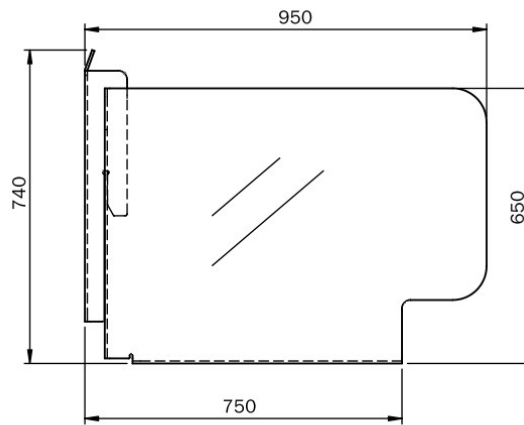
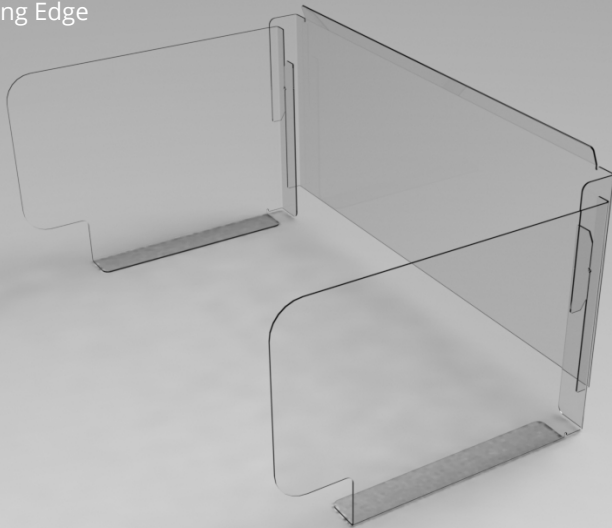
- 1150 (1200 WIDE DESK)
- 1350 (1400 WIDE DESK)
- 1450 (1500 WIDE DESK)
- 1550 (1600 WIDE DESK)
- 1750 (1800 WIDE DESK)



FRONT ELEVATION

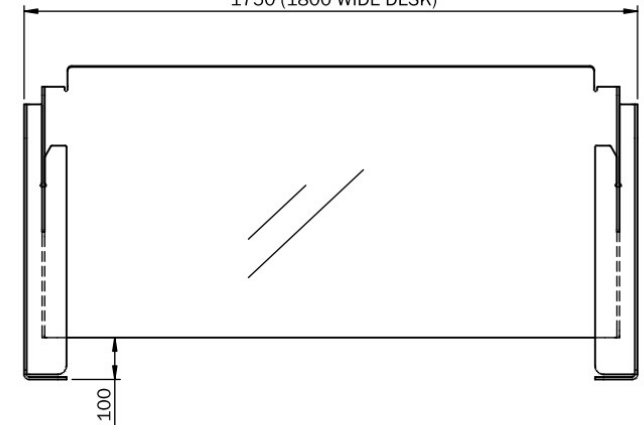
WE-DG-22

Wing Edge



SIDE ELEVATION

- 1150 (1200 WIDE DESK)
- 1350 (1400 WIDE DESK)
- 1450 (1500 WIDE DESK)
- 1550 (1600 WIDE DESK)
- 1750 (1800 WIDE DESK)



FRONT ELEVATION

Trading Desk Guard



- Easy installation with quick slot system.
- Manufactured from acrylic to maintain visibility across all trading floors.
- No shared components enables the guard to rise and fall with height adjustable desks.
- Simple secure fix to monitor beam without impeding sliding desktop mechanism.
- Optional open back prevents monitors needing to be repositioned.
- Optional extended wing side panels. Width and depth sized to desk specification.



SE-TDG-01-FB

Straight Edge with Full Back



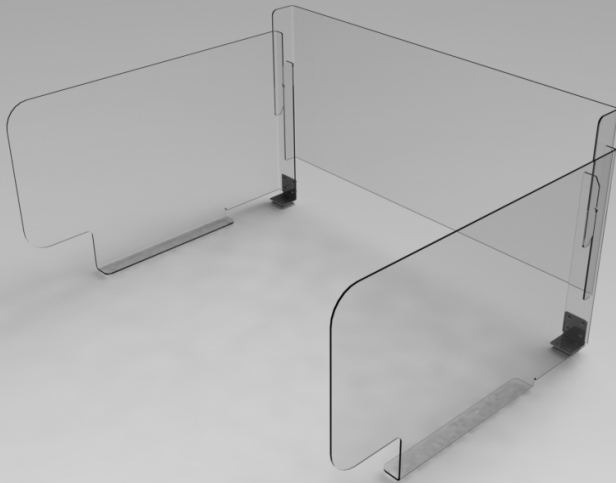
SE-TDG-02-OB

Straight Edge with Open Back



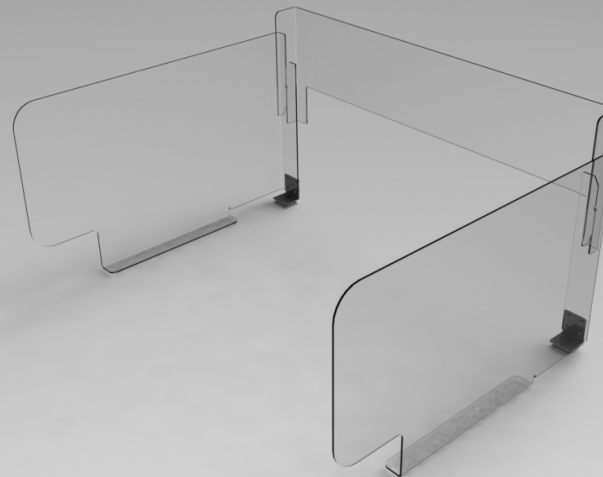
WE-TDG-03-FB

Wing Edge with Full Back



WE-TDG-04-OB

Wing Edge with Open Back



- Monitor beam fixing.
- Width and depth sized to desk specification.
- Straight or wing edge.
- Open or full back.

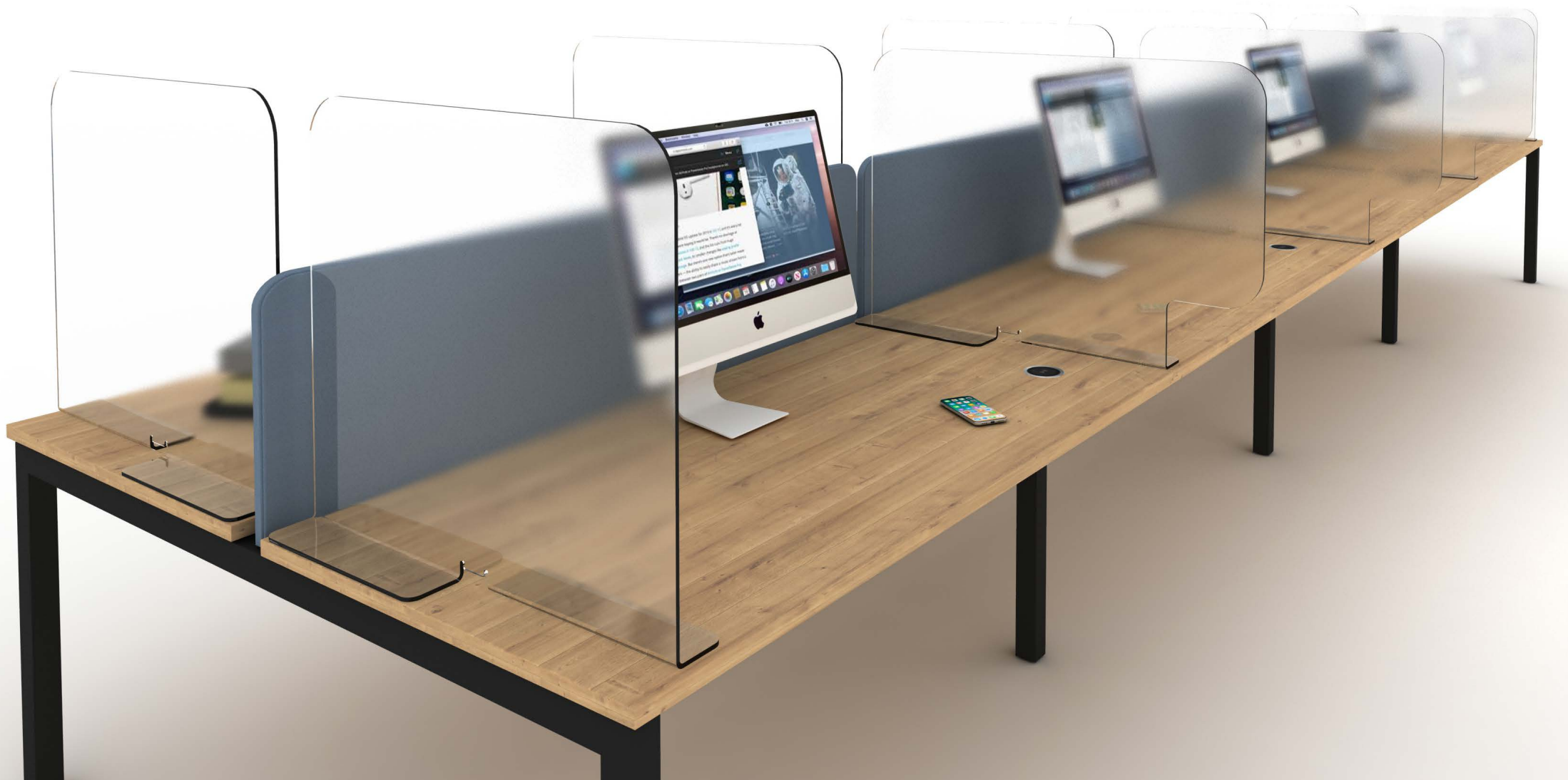


Monitor Beam Fixing

Free Standing Desk Guard

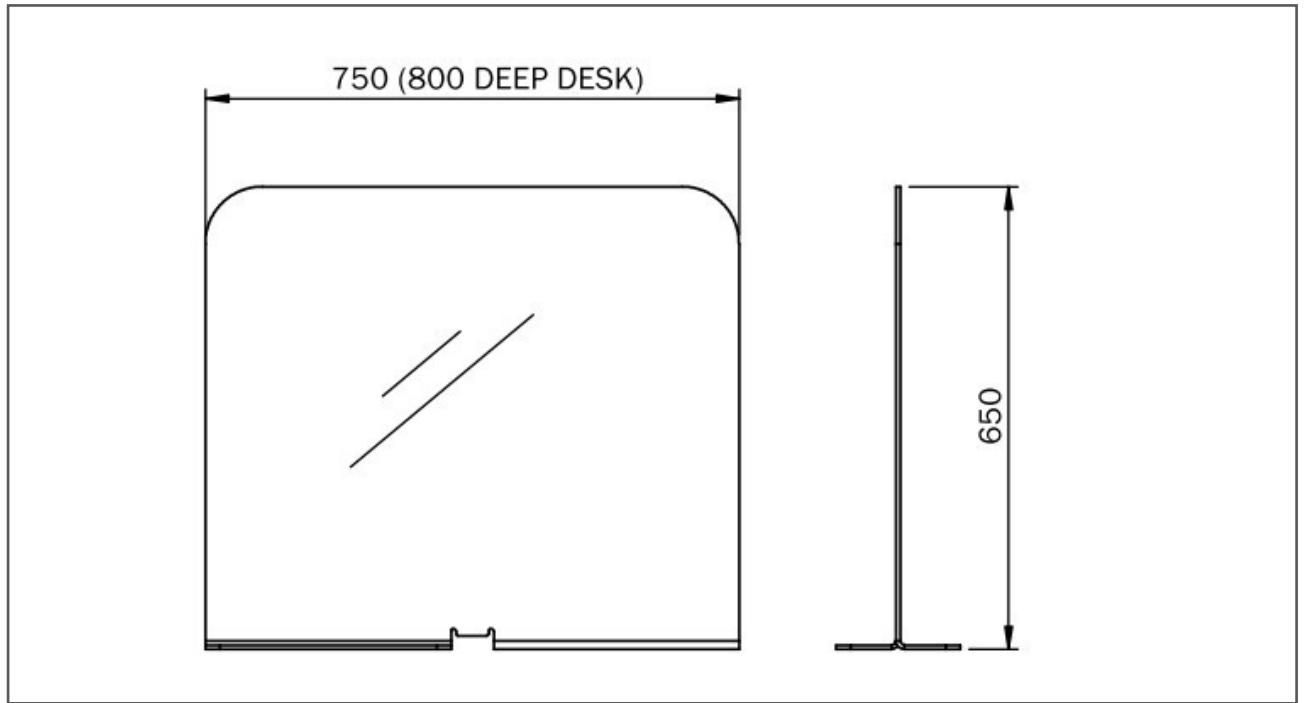
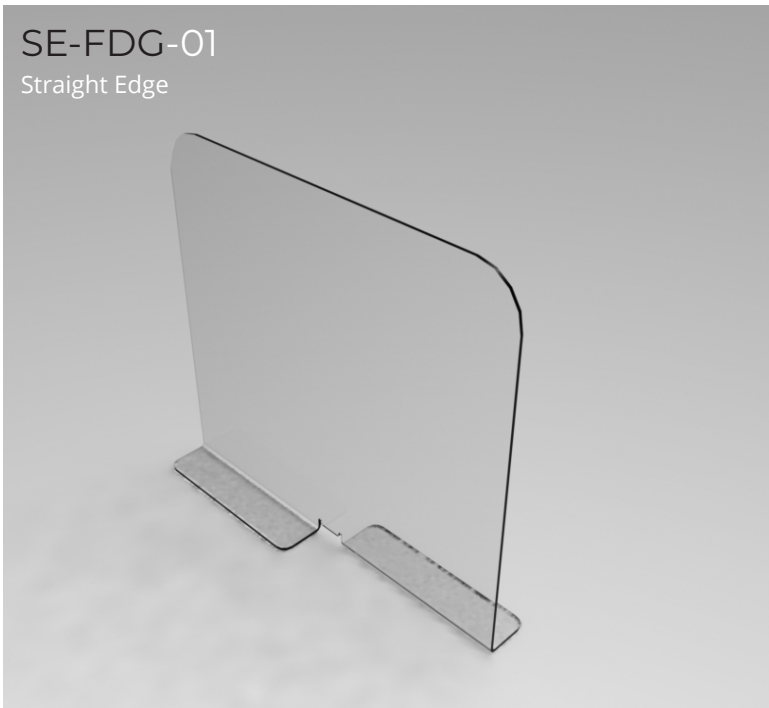


- 650mm high.
- Shared between users.
- Manufactured from acrylic.
- Width and depth sized to desk specification.
- Wing or straight edge.
- Shared back-to-back options.



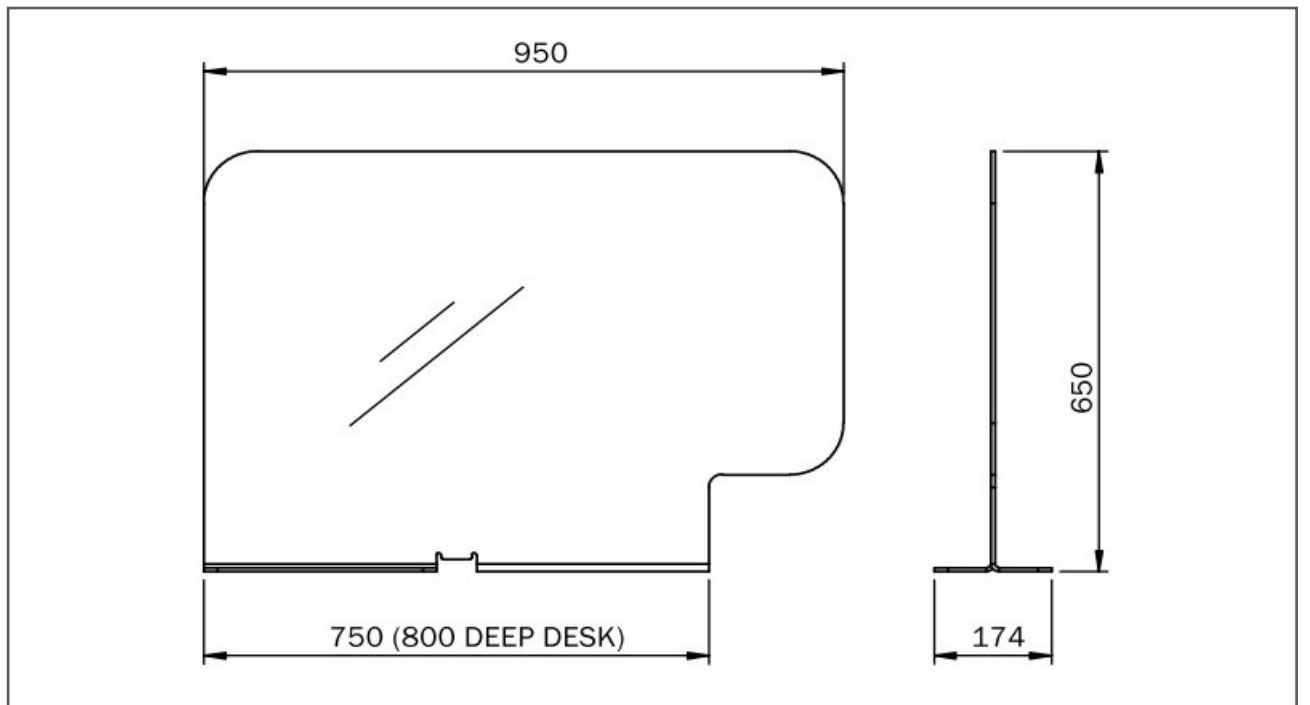
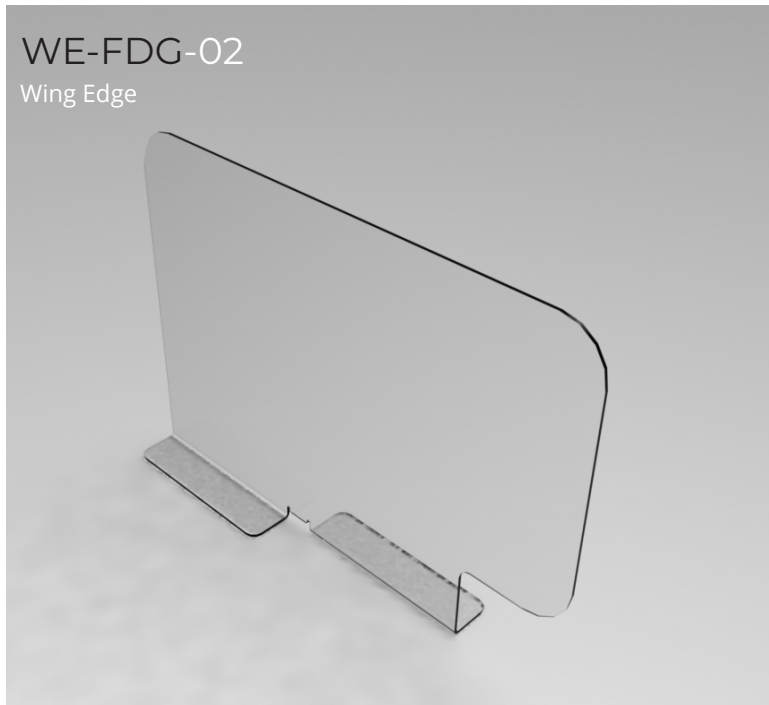
SE-FDG-01

Straight Edge



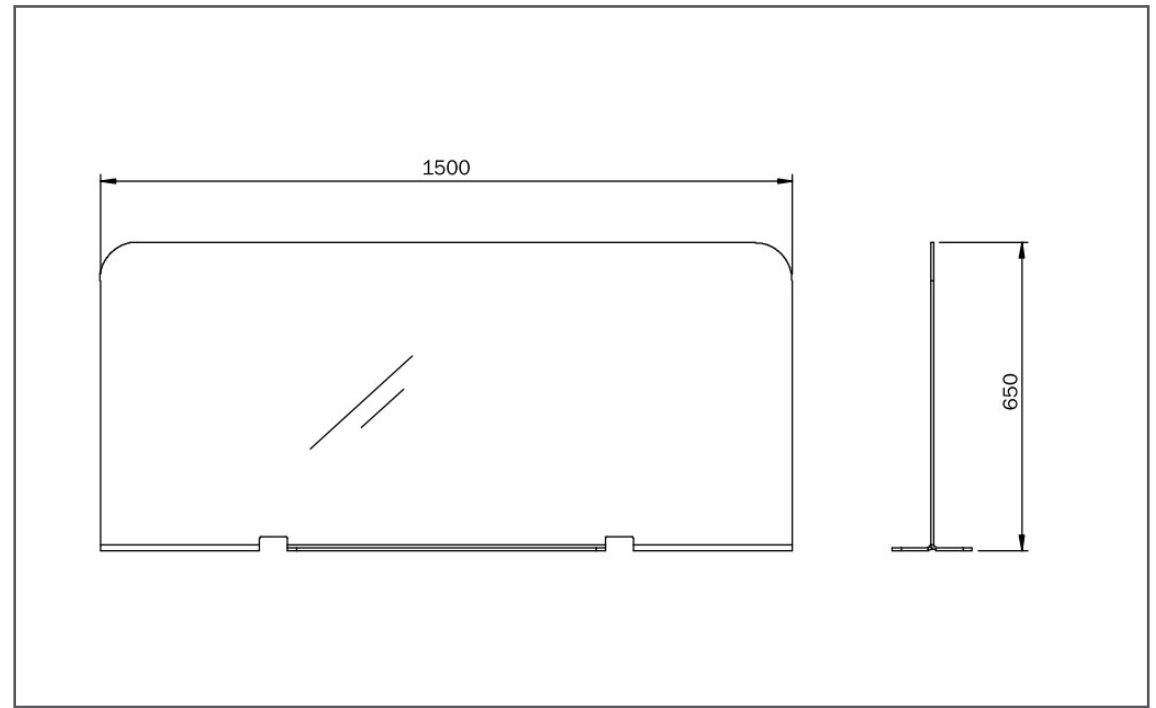
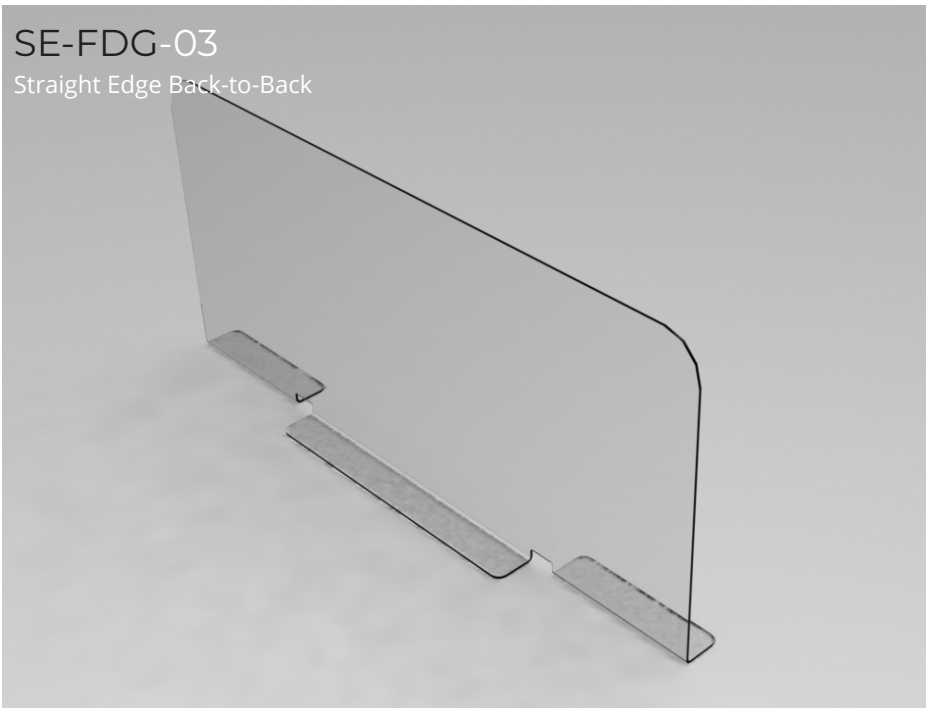
WE-FDG-02

Wing Edge



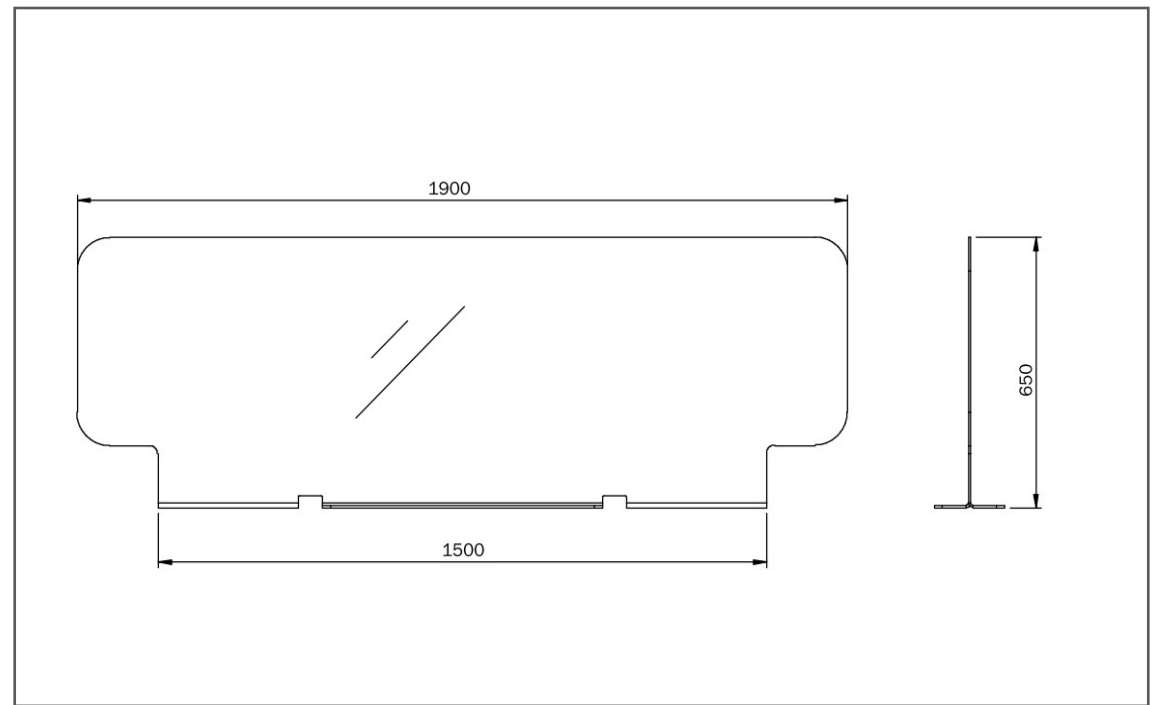
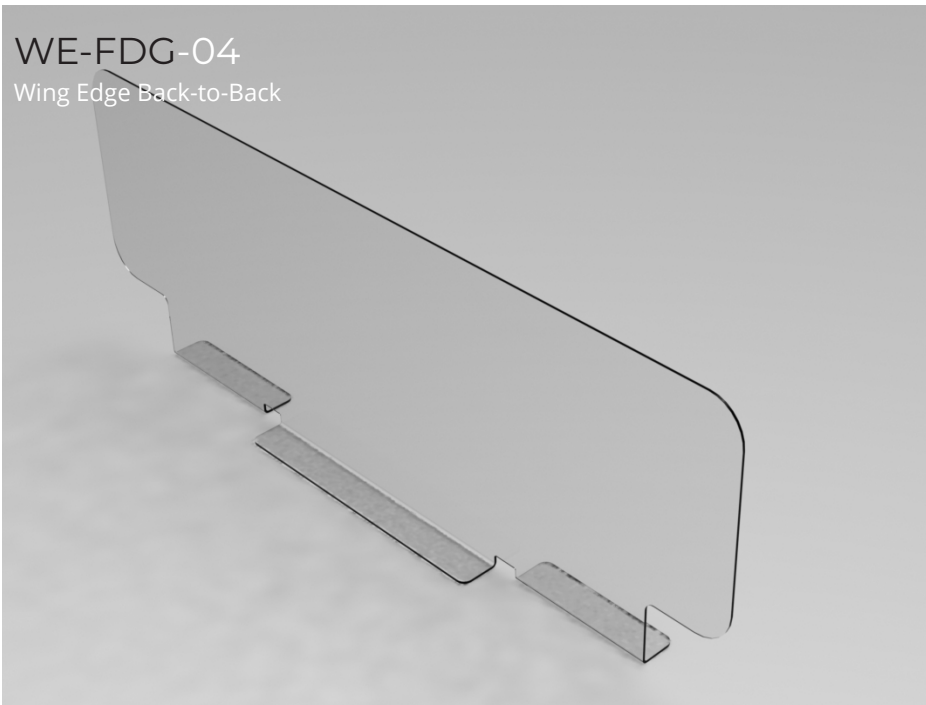
SE-FDG-03

Straight Edge Back-to-Back



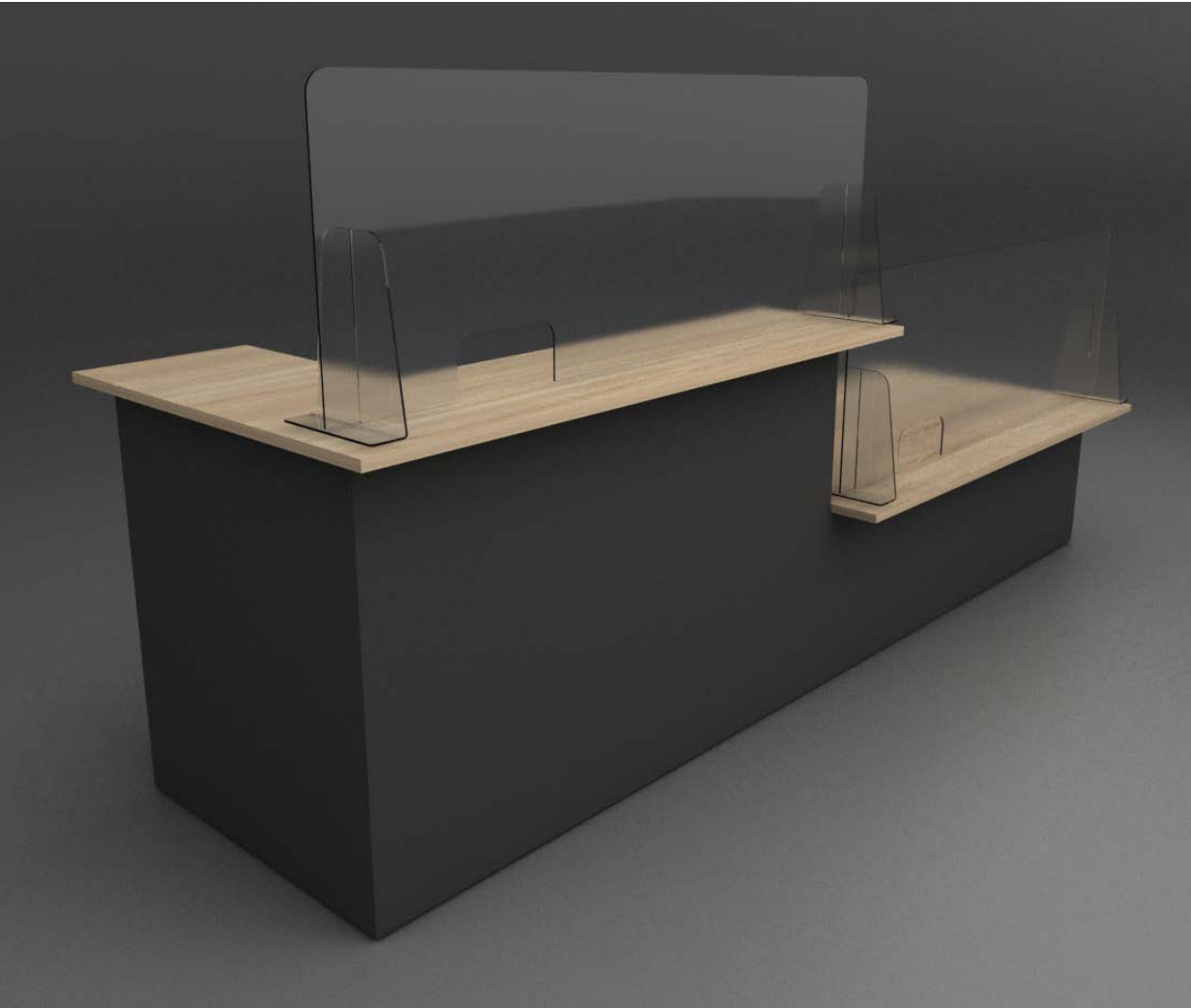
WE-FDG-04

Wing Edge Back-to-Back

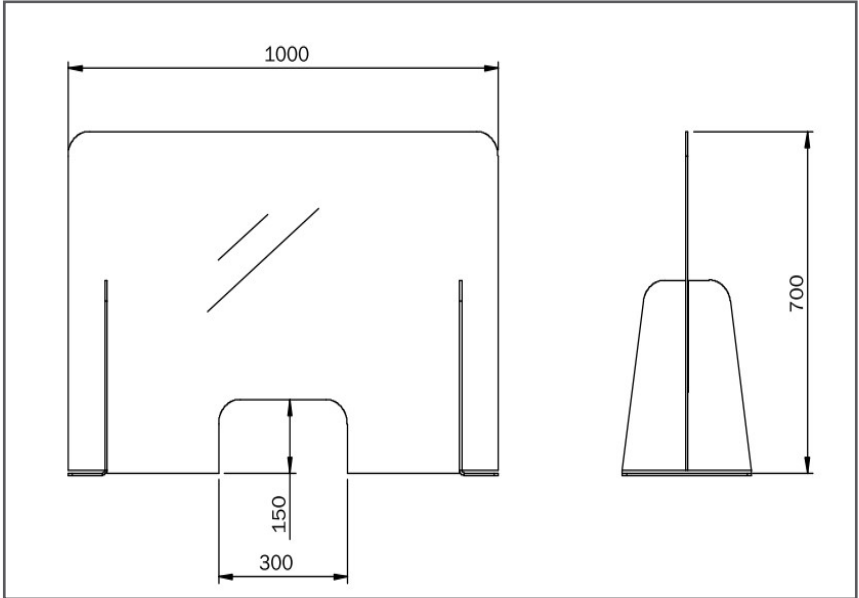
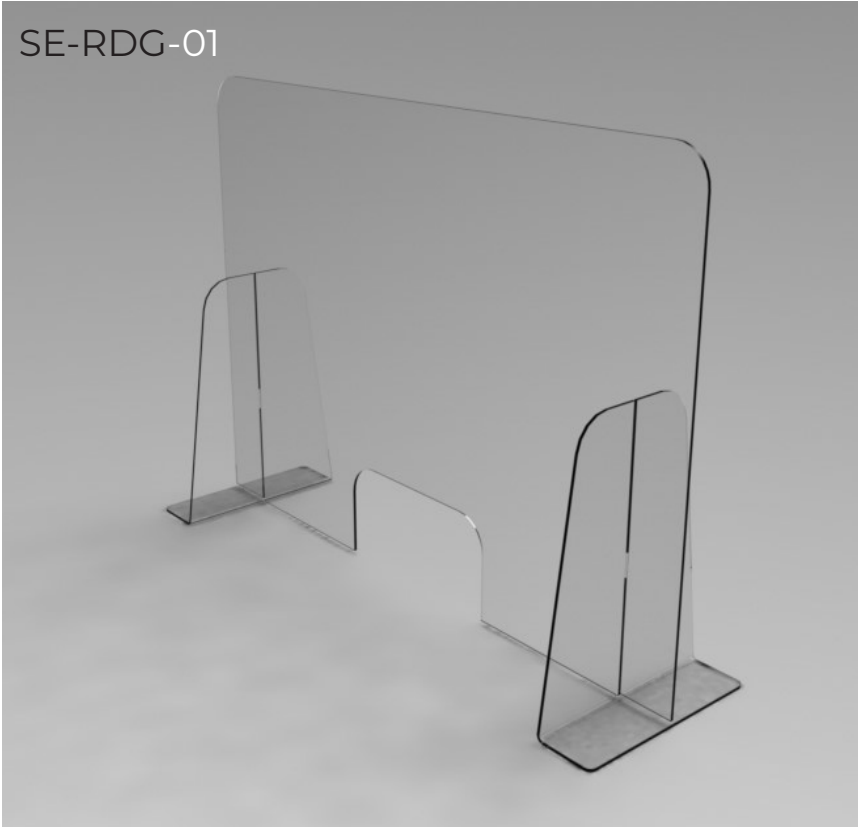


Reception Desk Guard

- Manufactured from acrylic.
- Free-standing.
- Depth sized to desk specification.
- Easy installation with quick slot system.
- Wing or straight edge.

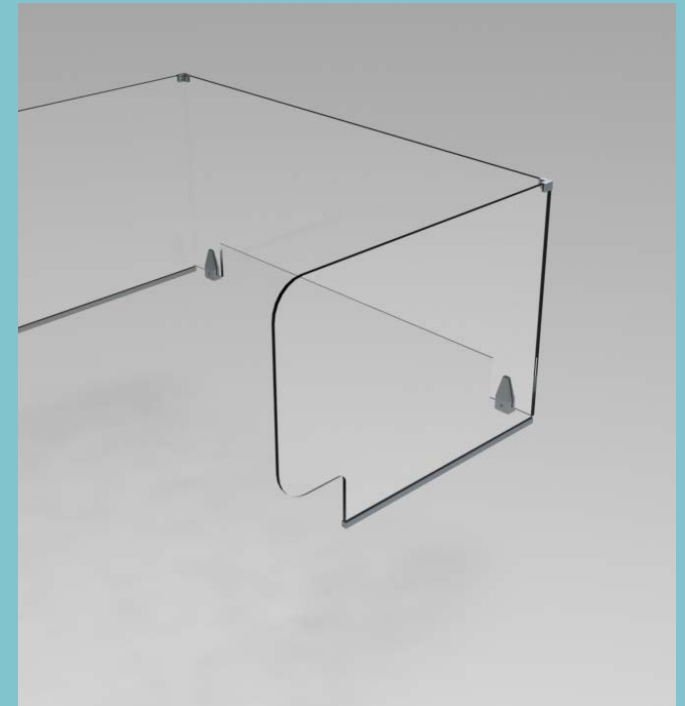
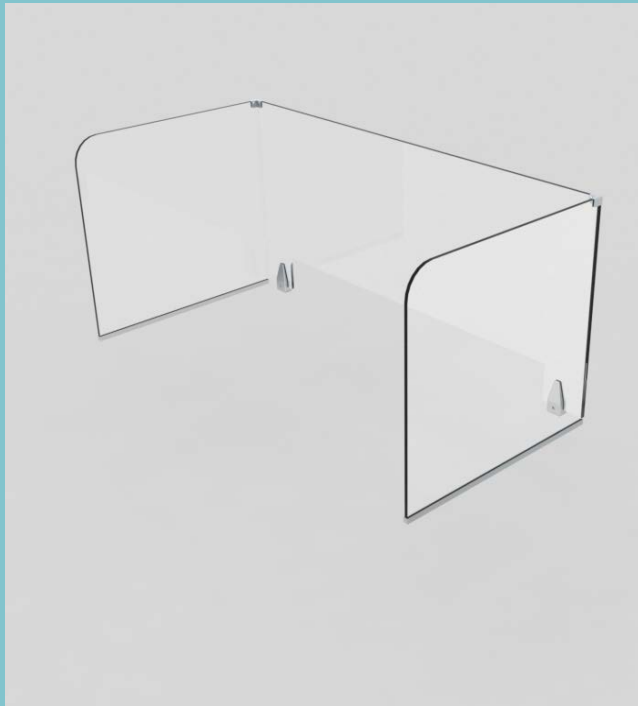


SE-RDG-01



ProTECH

Glass



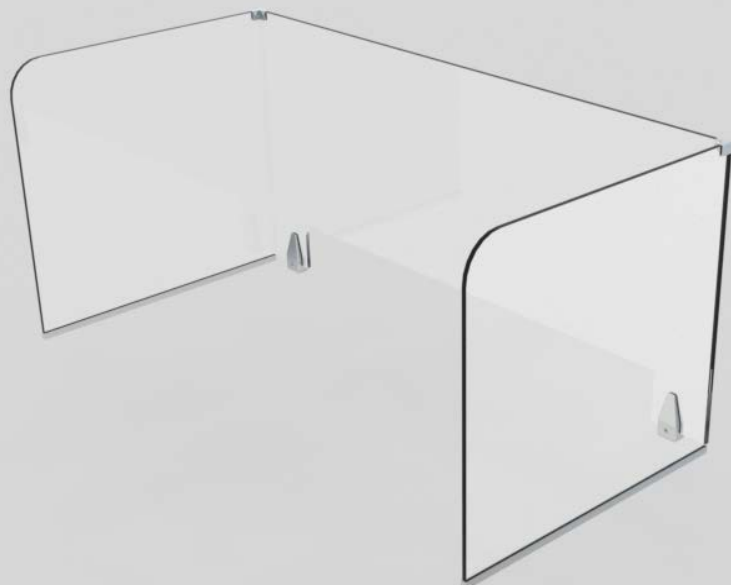
Glass Desk Guard

- 650mm high.
- Clamped to desk and bracketed together.
- Manufactured from toughened glass.
Width and depth sized to desk specification.
- Wing or straight edge.
- Surface can be easily cleaned.
- Readily available at reduced lead times.



SE-GDG-01

Straight Edge



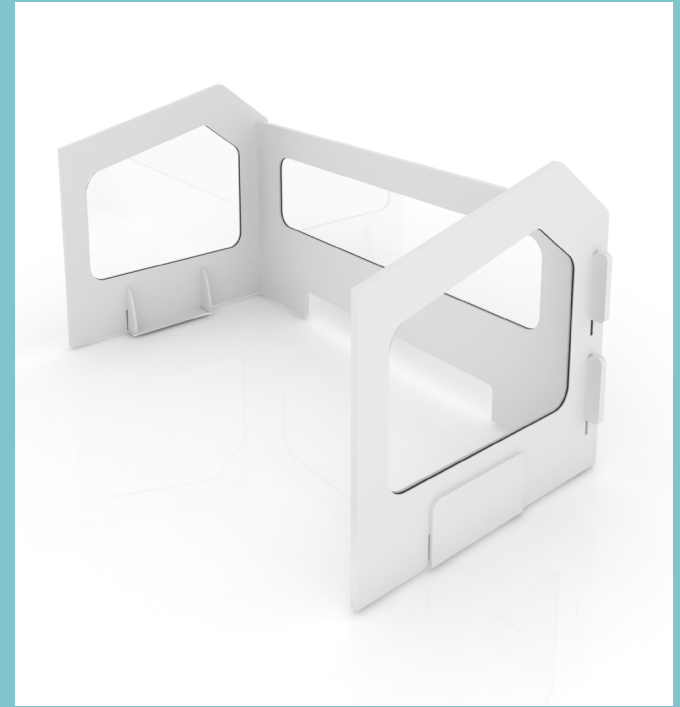
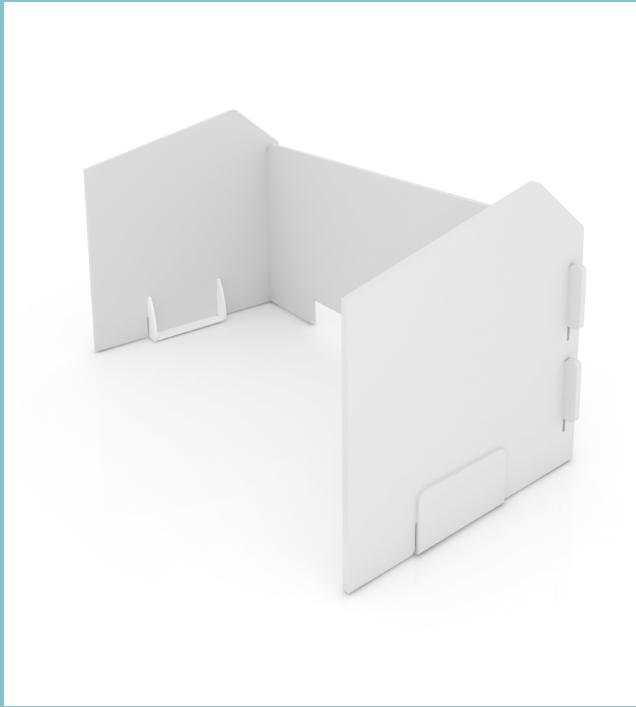
WE-GDG-02

Wing Edge



ProTECH

Cardboard



Cardboard Desk Guard

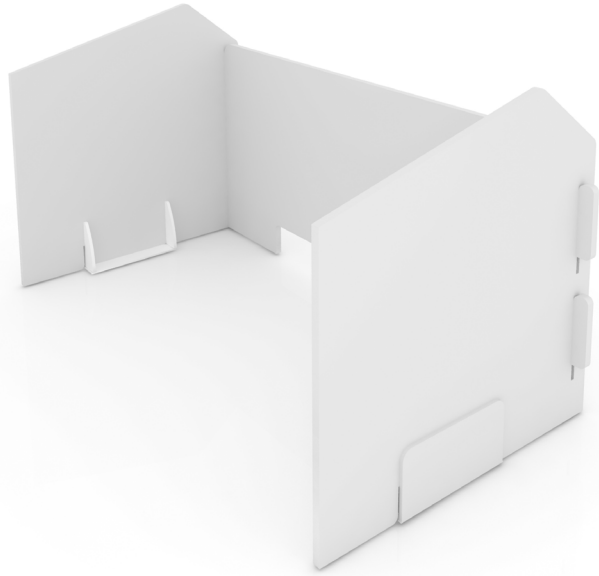


- Free standing design with no need for mechanical fixings.
- Cost effective solution.
- Made with recyclable materials.
- Rear cable management slot.
- Custom print design service available.
- Variable width and depth sizes.
- Square or sloping side wings specification.
- Solid panels or optional acrylic visibility windows.



AE-CDG-B-01

Angled Edge Blank



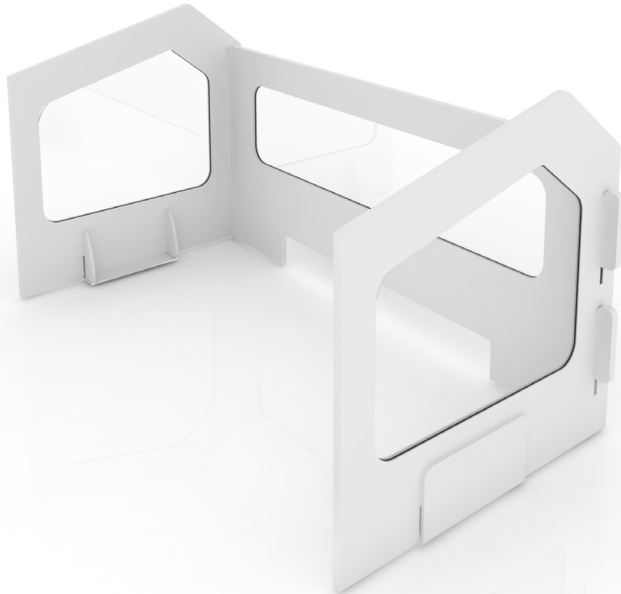
AE-CDG-B-02

Angled Edge Blank Printed



AE-CDG-W-03

Angled Edge Windows



AE-CDG-W-04

Angled Edge Windows Printed



Recyclable Materials

Acrylic

Most plastics are shredded, melted down and then turned into other products of lower value, a process which is called downcycling. Acrylic products, however, can be broken down into their original components using chemical recycling to create new sheets, tubes, rods, etc. – with virtually the same quality. Only suitable for a limited number of plastics, this process saves resources and avoids waste.

Acrylic can be used in conjunction with Germicidal Sanitizer Solution to disinfect and sanitize surfaces against bacteria and viruses.



Glass

Glass products can be fully recycled to produce a material of the same quality.

Cardboard

Cardboard is FSC approved and meets international standards for sustainability. It is manufactured using recycled fibres and is 100% recyclable at the end of its life.





Americas

39 Broadway
Suite 1640
New York
NY 10006

T: +1 212 257 6998

E: usinfo@technologydesking.com

EMEA

Harbour Island
30 Harbour Exchange Square
London
E14 9GE

T: +44 (0)20 7837 3355

E: ukinfo@technologydesking.com

APAC

15th Floor Hong Kong & Macau Building
156-157 Connaught Road
Central District
Hong Kong

T: +852 2868 3878

E: hkinfo@technologydesking.com